

IMPORTANT SAFETY INSTRUCTIONS

**READ THESE INSTRUCTIONS BEFORE
INSTALLING THE PRODUCT**



The product must be installed in accordance with the instructions provided. Failure to do so could result in personal injury, damage to your vessel and/or product failure.

Scanstrut recommends a professional builder/installer to install the product. No liability is accepted for damage and/or injury caused by incorrect installation.



WARNING

- This product is designed to be fitted to a 12/24V DC power source only.
- This product may contain high voltages. Do not tamper with the product.
- The power supply must be switched off before installing the product.
- An appropriately selected fuse or circuit breaker must be used in line between the battery and the product
- This product is NOT approved for use in hazardous/flammable atmospheres. Do NOT install in a hazardous/flammable atmosphere (Such as engine room or near fuel tanks).
- To ensure proper heat dissipation of the product, ensure it is being fitted with adequate space for proper ventilation.



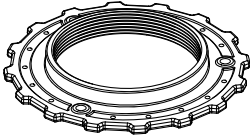

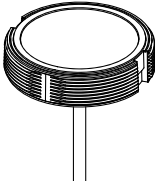

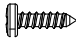

CAUTION

- The product has been designed specifically for the charging of Qi compatible devices.
- The cable must be adequately retained.
- This product contains no user serviceable components. Do NOT attempt to repair or alter the product in any way.
- The high friction top surface does not ensure the device will not slip during extreme operating environments such as high acceleration and deceleration.
- If a phone case which is thicker than 3mm is used it may cause either the device to not charge at all or the product to temporarily shut down, this is a safety feature which protects the electronics from over-heating.
- When used in a high ambient temperature the product may temporarily shut down, this is a safety feature which protects the electronics from over-heating. This safety feature may also be seen on the phone where it will stop accepting charge.
- The IP rating is only valid if installed onto specified surfaces and closely following the installation instructions.

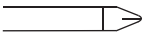

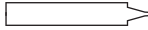
Technical Information

Input voltage range :	5-32V (12/24V system)
Input current range:	0.5-1.5A
Output power:	5W (5V, 1A)
Standby current draw:	< 0.03W
Certifications:	Qi, CE, FCC, ROHS
Waterproof rating:	IPX6 front and back


Parts List

	Locking ring		Magnet location tool with x2 magnets	x1
	Charger		Anti-slip device grip	x1
			No6 x 1/2" (13mm) self tapping screw	x3
			Alcohol wipe	x1

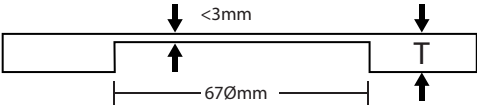
Tools Required

		
Pozi screwdriver	Straight router	Sikaflex 292-i (recommended)

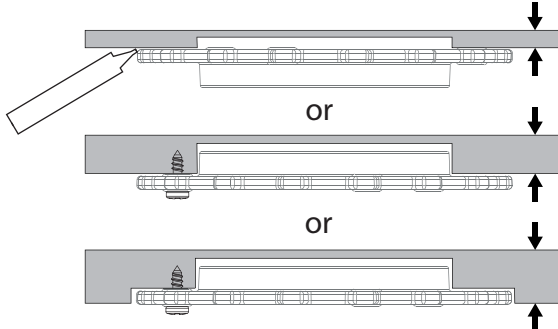
1 Warning Switch Off Power Supply

 Ensure electrical power is turned **off** before installing this product. Do not connect or disconnect with power on.

If mounting surface is thinner than 3mm go to step 2. If greater than 3mm, rout a pocket 67mm (2.6") diameter till 3mm thickness is achieved.




2 Screw or bond locking ring in correct orientation to underside of surface according to the measured material thickness (Sikaflex 292-i recommended).

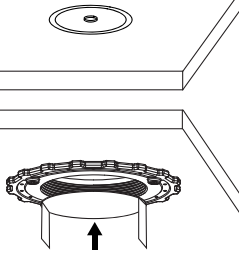


3-9mm
or
9-18mm
or
>18mm

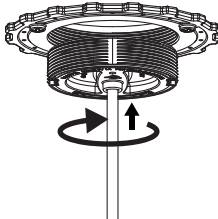
3 Option 1 - CNC etch logo onto top surface. Do not exceed 0.5mm.




4 Option 2 - Use adhesive EPDM rubber and align with magnet tool provided. Use Alcohol wipe to ensure surface is free from dirt or grease.




5 Screw in charger until firm, do not over tighten. Do not use tool.



6 Connect wires to 12/24V supply, ensuring a waterproof connection. Fuse according to input voltage and current.



Warning Switch Off Power Supply

 Ensure electrical power is turned **off** before installing this product. Do not connect or disconnect with power on.